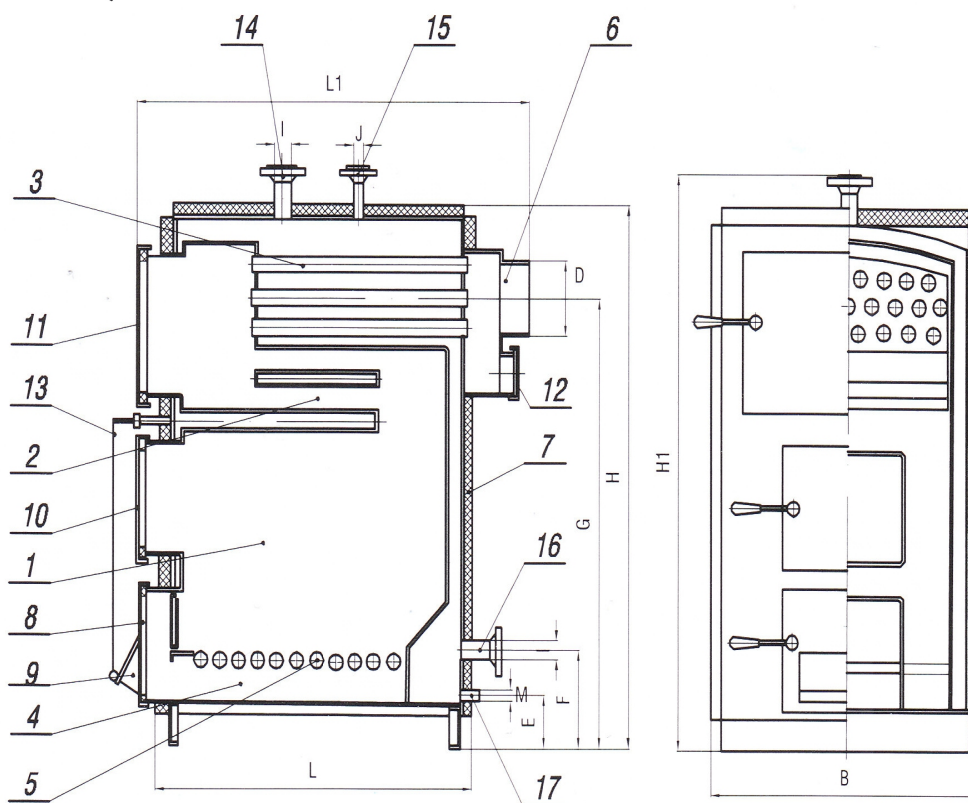


Hot water boiler type TKLC



Hotwater boiler type TKLC is designated for firing of all types of wood. The boiler has a large fire box which enables filling with large quantities of wood. The boiler is designed with three drafts, made out quality boiler steel, two capes and water cooled grid. The boiler has a low heat losses because of the good insulation. Cleaning and maintenance of the boiler is simple because there are two cleaning doors at the front of the boiler and cleaning opening at the back of the boiler. The boiler is set on the frameworks made out of steel profiles which enable easy manipulation with forklift.



- | | | | |
|--------------------|---------------------------|-------------------|--------------------------|
| 1. Firing chamber | 5. Water cooled grid | 9. Draft door | 13. Draft regulator |
| 2. Smoke channells | 6. Smoke connection | 10. Firing door | 14. Starting conduit |
| 3. Smoke pipes | 7. Casing with insulation | 11. Cleaning door | 15. Security conduit |
| 4. Ash area | 8. Cleaning door | 12. Cleaning door | 16. Returning conduit |
| | | | 17. Filling and clearing |

Boiler type	Capacity	Water quantity	B	H	H1	L	L1	E	F	G	D	I	J	M	Weight
	kW	l	mm										DN	col	kg
TKLC 50	50	230	750	1600	1680	850	1150	175	350	1250	200	50	25	3/4	700
TKLC 80	80	310	850	1600	1680	100	1300	175	350	1250	200	50	32	3/4	850
TKLC 100	100	420	850	1700	1780	1200	1500	175	350	1325	250	50	32	3/4	1120
TKLC 150	150	530	950	1800	1880	1400	1700	175	350	1425	250	65	32	3/4	1430
TKLC 200	200	620	1050	1900	1980	1500	1800	175	350	1500	300	65	40	1	1650
TKLC 300	300	710	1150	2050	2130	1650	1950	175	350	1650	300	80	40	1	2020
TKLC 400	400	790	1200	2200	2280	1750	2050	175	350	1775	350	80	50	1	2300
TKLC 500	500	930	1200	2350	2430	2000	2300	175	350	1925	350	100	50	1	2750
TKLC 600	600	1070	1250	2500	2580	2100	2400	175	350	2050	400	100	65	1	3050
TKLC 750	750	1220	1350	2700	2780	2250	2550	175	350	2250	400	100	65	1	3450
TKLC 1000	1000	1540	1400	2900	2980	2500	2800	175	350	2425	450	125	65	1	4300