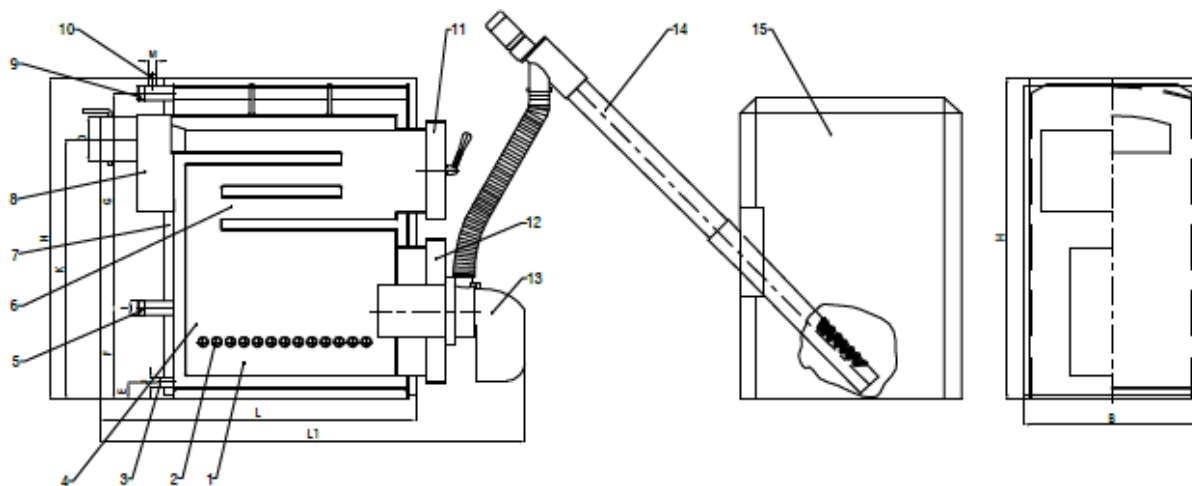


Hot water boiler type TKL Pel



Hot water boiler type TKL Pel is the most practical choice of pellet boiler. The burning is done in a burner with automatic control which is mounted on the door. By ordering another lower door the boiler can be used for burning solid fuel. The boiler has three drafts which enables high energy utilization with pellet and solid fuels. The cleaning is very easy through the front door.



- 1. Ash area
- 2. Water cooled grid
- 3. Filling-clearing
- 4. Firing place
- 5. Return conduit
- 6. Smoke channels
- 7. Casing with insulation
- 8. Smoke connection with clap
- 9. Outgoing conduit
- 10. Safety conduit
- 11. Cleaning door
- 12. Firing door
- 13. Burner
- 14. pellet transporter
- 15. Pellet tank

Boiler type	Capacity	Water content	B	H	L	L1	E	F	G	K	D	I	J	M	Weight
	kW	I	mm										col	kg	
TKL PEL 20	20	78	500	1000	660	880	56	300	625	745	180	5/4"	3/4"	1"	255
TKL PEL 25	25	90	550	1035	720	880	56	300	660	780	180	5/4"	3/4"	1"	280
TKL PEL 30	30	105	580	1035	820	940	56	300	660	780	180	5/4"	3/4"	1"	310
TKL PEL 35	35	120	580	1085	820	1000	56	300	710	830	200	6/4"	3/4"	1"	341
TKL PEL 40	40	139	580	1085	820	1100	56	300	704	830	200	6/4"	3/4"	1"	397
TKL PEL 55	55	150	660	1140	820	1030	56	300	759	885	200	6/4"	3/4"	1"	418