



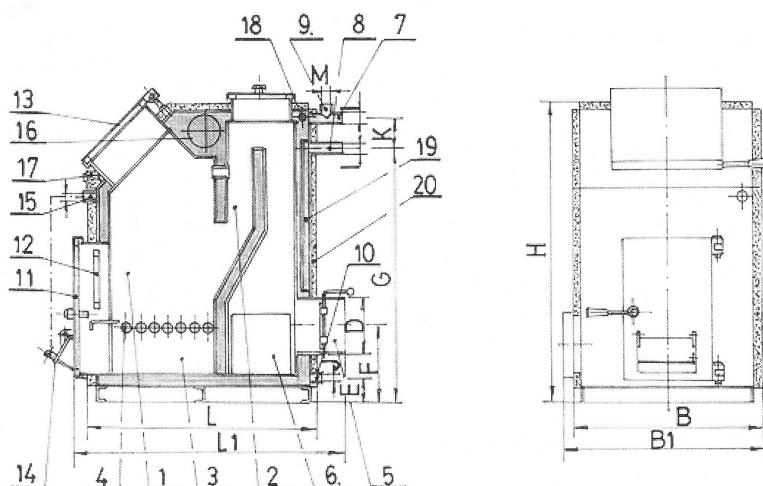
### Hot water-boiler type TKKD

Hot water boiler type TKKD is designated for wood and all types of coal. The trait of this boiler is a large firing place with large slanting door which enables easy handling and filling with large quantities of fuel. The lower smoke exhaust demands a good draft in the chimney, but also has a good advantage because of lesser corrosion. The chimney has to match dimensionally with SCHIEDEL chimney chart for the solid fuel boilers

The fireplace construction enables maximal utilization up to 90% of the energy. Installed pre-heater of the returning water and the water cooled grid enables low temperature corrosion.

Eternal surfaces of the boiler are easy to reach during cleaning and maintenance. The boiler can be redesigned for oil or gas fuel.

It is recommended for the maintenance of the minimal water temperature 60-70 °C by installing a three-way or four-way mixing valve. In the case of sanitary water heating the boiler can be connected to the water heater unit but the construction of the boiler does not allow mounting of the water-heater on the boiler.



- |                                   |                                   |                          |                                       |
|-----------------------------------|-----------------------------------|--------------------------|---------------------------------------|
| 1. Firing chamber                 | 6. Smoke connection with the clap | 11. Security conduit     | 16. Thermal fuse                      |
| 2. Smoke chanells                 | 7. Cleaning opening               | 12. Filling and clearing | 17. Thermometer                       |
| 3. Ash area                       | 8. Starting conduit               | 13. Ash celaning door    | 18. Thermostat connection             |
| 4. Water cooled grid              | 9. Returning conduit              | 14. Protective grid door | 19. Preheating of the returning water |
| 5. Smoke connection with the clap | 10. Filling and clearing          | 15. Draft regulator      | 20. Casing with insulation            |

Boiler type	Capacity	Water quantity	B	B1	H	L	L1	E	F	G	K	D	I	J	M	Weight
	kW	l	mm										col	kg		
TKKD 25	25	90	580	615	945	750	905	75	250	780	100	180	5/4	3/4	1	260
TKKD 35	35	105	633	665	995	750	905	75	250	830	700	180	5/4	3/4	1	310
TKKD 40	40	145	710	745	1095	750	905	75	250	930	100	200	5/4	3/4	1	400